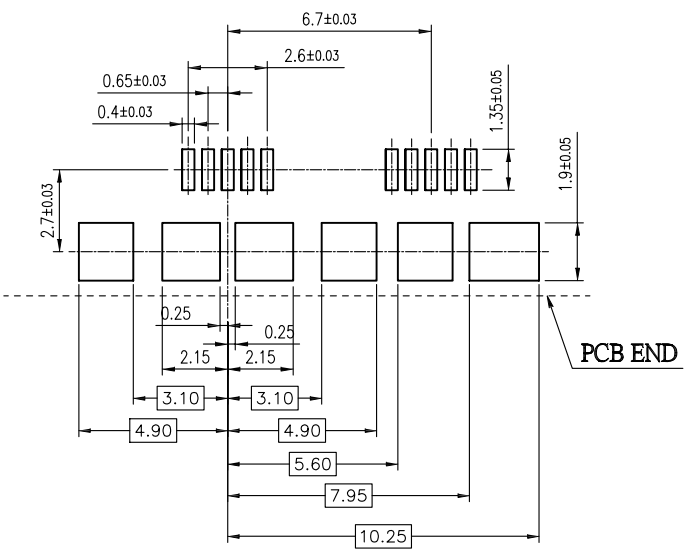
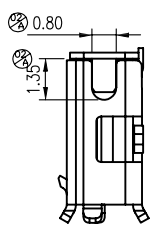
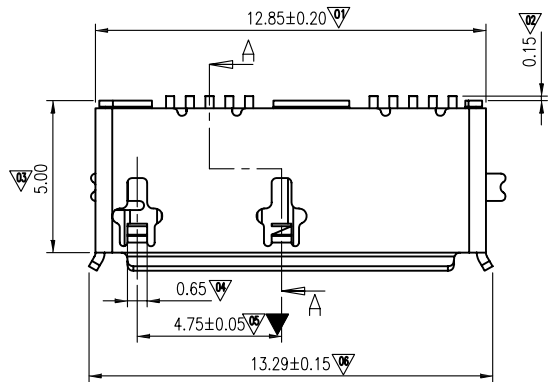


1 2 3 4 5 6

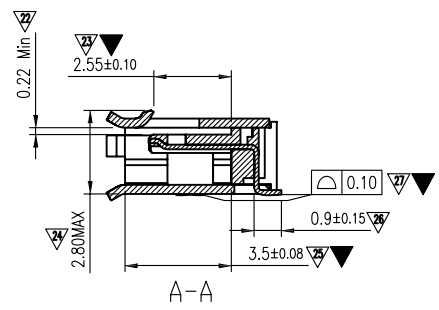
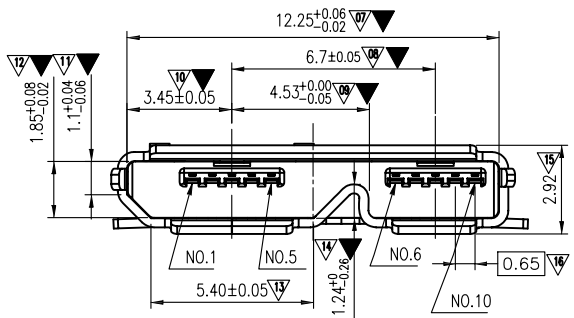
REVISIONS			
REV.	DESCRIPTION	DATE	REVISED BY

A



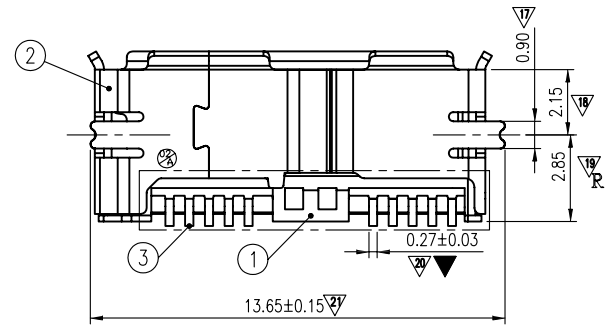
Pin Number	Signal Name
1	VBUS
2	D-
3	D+
4	ID
5	GND
6	MicB_SSTX-
7	MicB_SSTX+
8	GND_DRAIN
9	MicB_SSRX-
10	MicB_SSRX+
Shell	Shield

B



RECOMMENDED PCB LAYOUT

C



NOTES:

- INSULATOR: LCP . COLOR-BLACK
- USB CONTACT: BRASS.0.15mm THICKNESS,SELECTIVE GOLD. PLATED ON CONTACT AREA, SN PLATED ON SOLDER TAIL, 80 U" MIN. NICKEL UNDERPLATED OVERALL.
- SHELL: STAINLESS STEEL ,0.3mm THICKNESS,GOLD FLASH PLATED ON THE SOLDERING TAB.

D

**EBE**  
EBE TECHNOLOGY(HK) LIMITED

GENERAL TOLERANCE		Description	MicroUSB 3.0 BF SMT(TY)		Third Angle Projection
X.	± 0.20	X°	± 2°	Customer Name	Drawing By 裴智程
X.X	± 0.15	X.X°	± 1°	Customer No.	Designed By
X.XX	± 0.13	X.XX°	± 0.5°	Produce No.	Approved By
Date		2011.02.25	Scale	Units	
				<input checked="" type="checkbox"/> MM <input type="checkbox"/> Inch	REV A/0

1 2 3 4 5 6